

Standard configuration	Optional
Continuously variable transmission system	Cab
Electro-hydraulic direction changing	Air conditioner(certain type)
Air filter pressure alarm	Heater
4.3 inch LCD color screen intelligent instrument	Front/Overhead /Rear windshield
Operator-presence control system (OPS)	Lifting valve stem horn button
Flickering warning light	Fire extinguisher
USB interface	Fan
Comfortable seat	Double air cleaner
Chassis protective base plate	Fork extension
Protection net of exhaust	Solid tyre
Adjustable steering wheel	Widen fork arm carrier
Reversing handle (with horn)	Cleansing muffler(certain type)
Control valve	Rear working light
Low exhaust	Optional attachments
Back view mirror	Lifting slings
Handle ball steering wheel	Main switch
Protection for steering cylinder	High exhaust/Middle exhaust
Front combined lamp	Warning light
Rear combined lamp	Protection net of overhead guard
Backward buzzer	Reversing voice speaker
Backrest	Universal key
Driver's tool	Synchronized steering
Standard fork	Rear view camera
Integrated electric box	Tachograph
Overhead quard rain cover	Red/blue warning light
Wide view mast	Finger tip operation system
Durable tread tyre	Overspeed alarm
Tilt oil circuit self lock valve	Speed limit function
Flow regulator	Starting through card or face recognition
Traction pin	Internet of vehicle
Starting through card (National IV model)	HELI active stability safety control system
Visualized reminder for electrical appliances	HELI Anti-collision intelligent warning system
Oil filler cap with lock	HELI AI-collision warning system
	HELI smart fleet management system
	Weighing system

# CPCD 20/25/30/35 CP(Q)(Y)D 20/25/30/35



**2-3.5 t**

G3 series Internal Combustion Counterbalanced Forklift Truck



**ANHUI HELI CO., LTD.**

Add / No.668, FangXing Road, Hefei, China  
 Fax / +86-551-63639966  
 Tel / +86-551-63639068(America); 63639258(Europe);  
 63639358(Asia); 63662105(Africa & Middle East)



LinkedIn



YouTube



Facebook



***New flagship of internal combustion trucks  
shapes an intelligent future***

Safe / Intelligent / Efficient / Energy Saving / Comfortable

# Excellent safety

The mast is equipped with overlapping pulley groups for a wide field of vision and safer operation.



The overall stamping design of the cab offers enhanced safety protection.

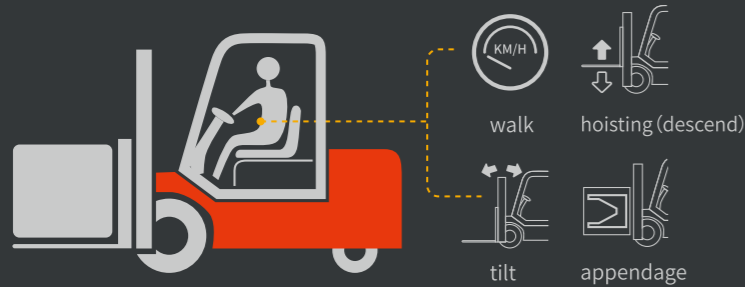


The controller has passed dual certifications of functional safety and CE, utilizing a dual CPU design for dual protection, further enhancing the safety of the entire truck. (Standard on trucks meeting Euro V, optional on other models)



The multi-point horn button is equipped to provide safety warnings under various conditions.

The multi-point horn button is equipped to provide safety warnings under various conditions. **Driver Presence Safety System**



The driver presence safety system meets the needs of different regional customers, making driving operations safer.

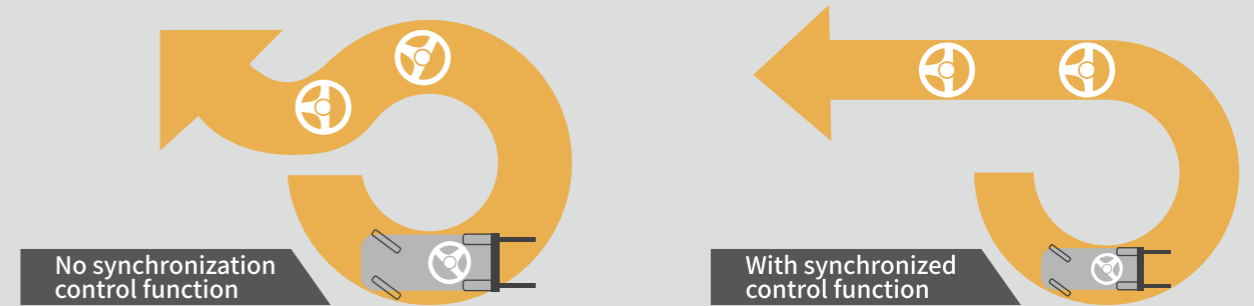


Personalized speed control system meets different speed limit requirements (electronic control machine).

# Multi-dimensional intelligence

## [Synchronous steering] (optional)

The synchronous steering function: a hydraulic synchronized steering system that adjusts the steering wheel and wheel angles in real-time provides precise steering and comfortable driving.



## [HELI Active Stability System] (HLASS) (optional)

Equipped with the HELI active stability safety control system, it achieves multi safety controls such as thumb switch control, synchronized steering, automatic leveling of forks, inclined buffering at the end of forks, and mast tilting speed control, comprehensively enhancing driving and handling safety.

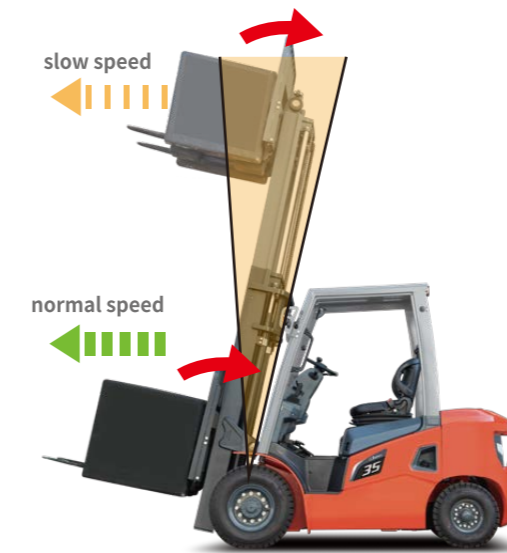
**Fork one-button leveling function**

When the mast is tilt, press the automatic leveling button, and the fork automatically returns to the horizontal position, which is intelligent and convenient.

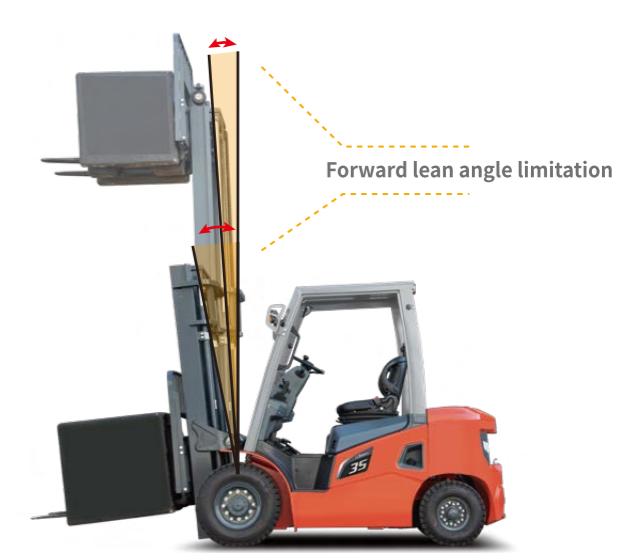
**Thumb switch control**

**Seat fingertip control**

The multifunctional armrest of the seat allows you to use your fingertips to control the truck's driving, cargo loading and unloading, and warning operations.



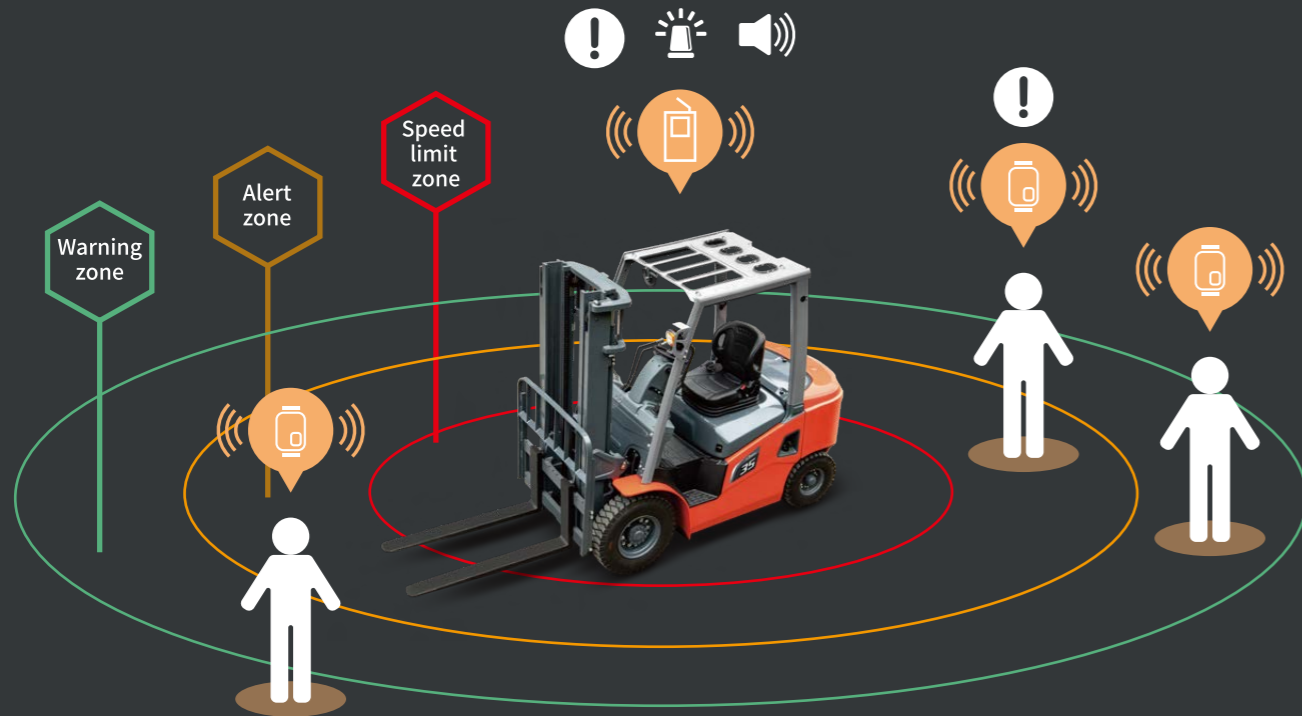
**Mast speed control function:**When working at a high position, the mast's rear tilt speed is intelligently controlled, and the front and rear tilt ends are intelligently buffered to maintain stability during high-altitude operations.



**Mast angle limit function:** When working at a high position, the mast's forward tilt angle is limited to maintain stability during high-altitude operations.

**[HELI Intelligent Anti-collision Warning System] (HLACW) (optional)**

HELI Anti-collision Intelligent Warning System offers multiple intelligent systems such as UWB anti-collision warning and reverse anti-magnetic collision warning, providing comprehensive protection for driving safety.



**[HELI AI Anti-collision Warning System] (HLACW) (Optional)**

Face recognition for truck start + driver behavior recording function (Face ID + DMS)

Face recognition for truck start + driver behavior recording function + blind spot detection + truck control system + driving recording function (Face ID + DMS + BSD)

Face recognition for truck start + driver behavior recording function + 360 panorama + truck control system + driving recording function (Face ID + DMS + AVM)

**Face ID:** Driver identification system for truck start, ensuring exclusive use and enhancing management.



AI Face Recognition Unlock

**DMS:** Driver Behavior Monitoring safety module improves driving safety.



Recognition and Alert for Fatigue Driving

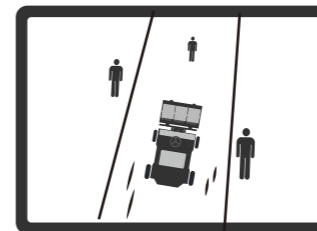


Recognition and Alert for Phone Calls during operation



Recognition and Alert for Smoking during operation

**BSD:** Blind Spot Detection System to detect pedestrians approaching the truck's blind spots and display them on the screen, as well as timely alert the driver and the approaching target.



Detection of pedestrians approaching the truck's blind spots.

**AVM:** The 360-degree panoramic surround view system installs fisheye cameras around the truck to display the surrounding environment, and issues timely alerts.



Display and Alert of pedestrians or motor approaching.

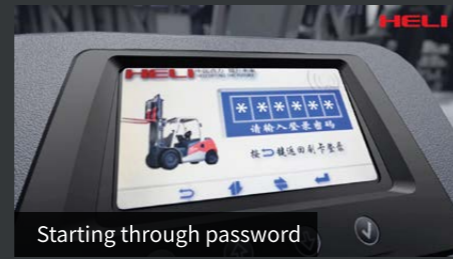
## Significant Efficiency

- The truck is configured with a large-capacity air filter with a safety filter and pressure alarm function to effectively purify the intake air and monitor the degree of air filter blockage in real time.
- The lifting system has been comprehensively upgraded for longer maintenance cycles and high load bearing capacity.
- The entire truck adopts a fully hydraulic load-sensitive system for precise operation, greater efficiency, and enhanced comfort.
- The truck is equipped with an electrical failure visualization warning system, which provides engine fault warnings, fault displays for the truck's electrical system, and machine maintenance information reminders for efficient and convenient operation.
- A multi-dimensional human-machine interaction intelligent instrument monitors the overall status of the truck, and can achieve functions such as card-based start-up, providing efficient and flexible operation.
- The engine hood has a large opening angle, and the front and rear bottom boards are detachable for convenient maintenance.
- Card swipe for truck start
- Password start
- Large opening angle engine cover

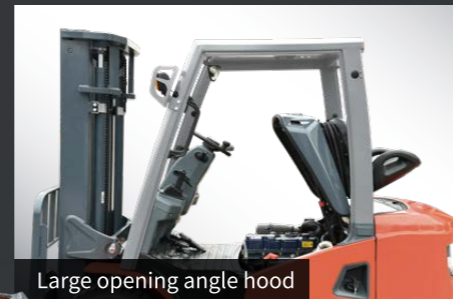




Starting through card




Starting through password




Large opening angle hood

## Green and Energy-saving

- The overall truck system has been matched and upgraded, reducing the energy consumption of the entire machine by more than 15% compared to previous generation products.
- The truck is equipped with a low-loss and low-consumption hydraulic system, the hydraulic oil temperature of the entire machine is reduced by more than 20% compared to previous generation products.
- The truck is equipped with the latest emissions-compliant energy-saving internal combustion engines that meet local requirements, ensuring green and energy-saving operation.



Reduced overall truck energy consumption by more than **15%**



Hydraulic oil temperature drop of more than **20%**

## Driving comfort



**dB**

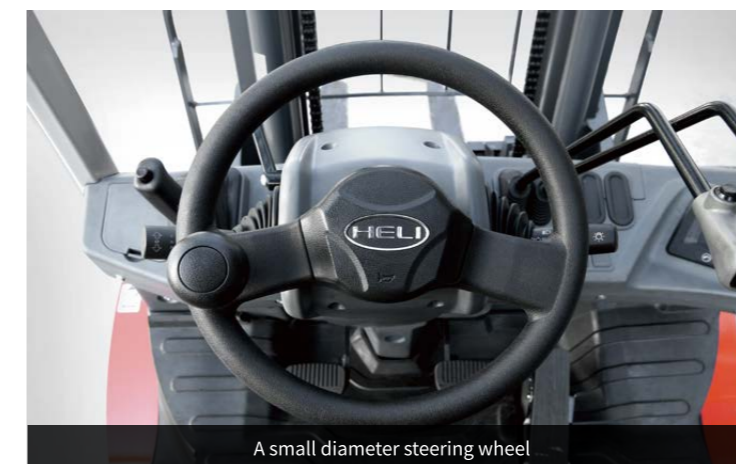


Multiple systems have been jointly upgraded, resulting in better noise performance of the entire truck.



Mast descent cushioning

The lifting system has been buffered and upgraded to reduce operational impact, providing a comfortable and safe experience.




A small diameter steering wheel



Full suspension seats



Automotive integrated handles



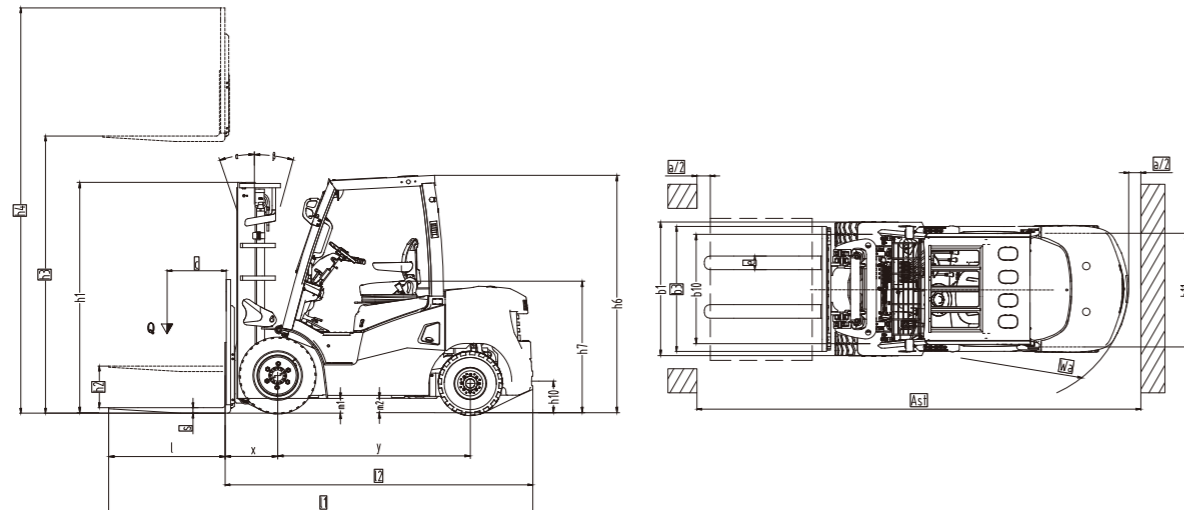
A low steering effort steering system with a **30%** reduction in steering effort provides more efficient and comfortable steering operation.



Ultra-wide legroom

MANUFACTURER AND TECHNICAL DATA									
<b>Identification</b>									
1.1	Manufacturer	<b>HELI</b>							
1.2	Model	CPCD20/CP(Q)YD20	CPCD25/CP(Q)YD25	CPCD30/CP(Q)YD30	CPCD35/CP(Q)YD35				
1.3	Drive	Diesel/(Gas)LPG							
1.4	Operator type	Seated							
1.5	Rated capacity/rated load	Q	kg	2000	2500	3000	3500		
1.6	Load centre distance	c	mm	500	500	500	500		
1.7	Load distance, centre of drive axle to fork	x	mm	462	462	477	482		
1.8	Wheelbase	y	mm	1720	1720	1770	1770		
<b>Weights</b>									
2.1	Service weight		kg	3475	3925	4375	4720		
2.2	Axle loading, laden front/rear		kg	4815/660	5655/770	6490/885	7235/985		
2.3	Axle loading, unladen front/rear		kg	1275/2200	1425/2500	1575/2800	1700/3020		
<b>Wheels / chassis</b>									
3.1	Tyres: solid rubber, superelastic, pneumatic, polyurethane	Pneumatic tyre							
3.2	Tyre size, front			7.00-12-12PR	7.00-12-12PR	28*9-15-14PR	28*9-15-14PR		
3.3	Tyre size, rear			6.00-9-10PR	6.00-9-10PR	6.50-10-10PR	6.50-10-10PR		
3.4	Wheels, number front/rear (x = driven wheels)			2x/2	2x/2	2x/2	2x/2		
3.5	Tread, front	b10	mm	970	970	1000	1000		
3.6	Tread, rear	b11	mm	970	970	970	970		
<b>Dimensions</b>									
4.1	Tilt of mast/fork carriage forward/backward	$\alpha/\beta$	°	6/12	6/12	6/12	6/12		
4.2	Height, mast lowered	h1	mm	2000	2000	2070	2120		
4.3	Free lift	h2	mm	150	150	155	160		
4.4	Lift	h3	mm	3000	3000	3000	3000		
4.5	Height, mast extended	h4	mm	4030	4030	4217	4217		
4.6	Height of overhead guard	h6	mm	2160	2160	2180	2180		
4.7	Seat height/stand height	h7	mm	1030	1030	1125	1125		
4.8	Coupling height	h10	mm	275	275	295	295		
4.9	Overall length	l1	mm	3510	3745	3870	3895		
4.10	Length to face of forks	l2	mm	2590	2675	2800	2825		
4.11	Overall width	b1	mm	1160	1160	1225	1225		
4.12	Fork dimensions ISO 2331	s/e/l	mm	40/122/920	40/122/1070	45/125/1070	50/125/1070		
4.13	Fork carriage ISO 2328, class/type A, B			IIA	IIA	IIIA	IIIA		
4.14	Fork-carriage width	b3	mm	1038	1038	1100	1100		
4.15	Ground clearance, laden, below mast	m1	mm	115	115	135	135		
4.16	Ground clearance, centre of wheelbase	m2	mm	115	115	135	135		
4.17	Aisle width for pallets 1000 × 1200 crossways	Ast	mm	3880	3960	4070	4150		
4.18	Aisle width for pallets 800 × 1200 crossways	Ast	mm	4080	4160	4270	4350		
4.19	Turning radius	Wa	mm	2220	2300	2400	2475		
<b>Others</b>									
5.1	Operating pressure for attachments		bar	140	140	140	140		
5.2	Oil volume for attachments		L/min	55	55	64	64		

TECHNICAL DATA										
1.1	Model		CPCD20	CPCD25	CPCD30	CPCD35	CP(Q)YD20	CP(Q)YD25	CP(Q)YD30	CP(Q)YD35
1.2	Travel speed, laden/unladen	km/h	17/18	17/18	18/19	18/19	17/18	17/18	18/19	18/19
1.3	Lift speed, laden/unladen	m/s	0.55/0.61	0.55/0.61	0.47/0.51	0.42/0.45	0.55/0.61	0.55/0.61	0.46/0.50	0.42/0.45
1.4	Lowering speed, lade/unladen	m/s	0.45/0.50	0.45/0.50	0.45/0.50	0.45/0.50	0.45/0.50	0.45/0.50	0.45/0.50	0.45/0.50
1.5	Max. drawbar pull, laden/unladen	kN	22/13	22/14	21/15	20/16	24/13	24/14	23/15	22/16
1.6	Max. gradeability, laden/unladen1)	%	38/28	35/23	28/22	25/22	30/26	29/22	28/22	18/21
1.7	Service brake		Hydraulic				Hydraulic			
<b>Combustion engine</b>										
2.1	Engine manufacturer/type		Quanchai 498 (National IV)				KUBOTA WG2503 (EU Stage V/EPA/CARB Tier3)			
2.2	Fuel type		Diesel				LPG/Gas			
2.3	Engine power according to DIN ISO 1585	kW	36.8				LPG:43.5/GAS:42.8			
2.4	Rated speed	min-1	2500				2600			
2.5	Number of cylinders/displacement	(-)/L	4/3.17				4/2.491			
2.6			CPCD20~35-Q17HG3				CP(Q)YD20-35-KU1HG3			



WIDE VIEW MAST													
Mast model	Max.lifting height (mm)	Load capacity(oder center 500mm) (kg)				Mast height (mm)			Mast tilt angle Front/Rear	Service weight (kg)			
		2t	2.5t	3t	3.5t	2-2.5t	3t	3.5t		2t	2.5t	3t	3.5t
M300	3000	2000 2000*	2500 2500*	3000 3000*	3500 3500*	2000	2070	2120	6-12	3475	3925	4375	4720
M330	3300	2000 2000*	2500 2500*	3000 3000*	3500 3500*	2150	2220	2270	6-12	3500	3950	4400	4750
M350	3500	2000 2000*	2500 2500*	3000 3000*	3500 3500*	2250	2320	2370	6-12	3518	3968	4418	4769
M370	3700	2000 2000*	2500 2500*	3000 3000*	3500 3500*	2350	2420	2470	6-6 *6-12	3535	3985	4436	4788
M400	4000	2000 2000*	2500 2500*	3000 3000*	3500 3500*	2550	2620	2670	6-6 *6-12	3609	4059	4510	4865
M450	4500	2000 2000*	2500 2500*	3000 3000*	3500 3500*	2800	2870	2920	6-6 *6-12	3652	4102	4555	4913
M500	5000	1850 1950*	1950 2400*	2700 3000*	3300 3400*	3050	3120	3170	6-6	3695	4145	4600	4961
M550	5500	1850*	2300*	2750*	3050*	3350	3420	3470	*6-6	3786	4236	4692	5056
M600	6000	1650*	1850*	2250*	2450*	3600	3670	3720	*6-6	3829	4279	4737	5104

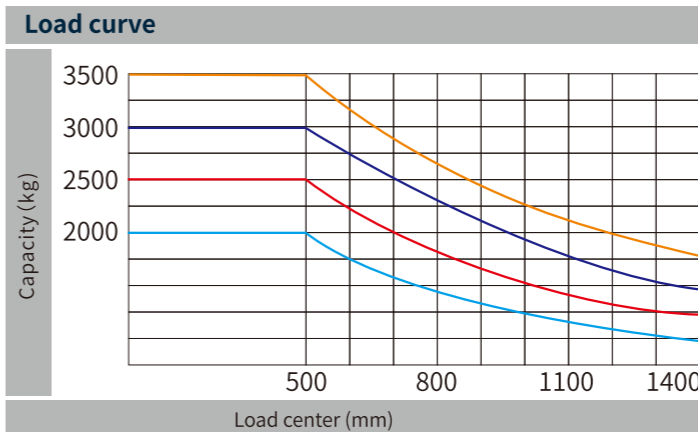
Note: ① \* stands for rated capacity for trucks with dual front tyre; ② When trucks with dual front tyre, the service weight is the data in the table plus 110kg.

WIDE VIEW FULL FREE 2-STAGE MAST																
Mast model	Max.lifting height (mm)	Load capacity(oder center 500mm) (kg)				Mast height (mm)			Free lift (with backrest)(mm)			Mast tilt angle Front/Rear	Service weight (kg)			
		2t	2.5t	3t	3.5t	2-2.5t	3t	3.5t	2-2.5t	3t	3.5t		2t	2.5t	3t	3.5t
ZM300	3000	2000 2000*	2500 2500*	3000 3000*	3500 3500*	2000	2070	2120	996	888	943	6-12	3504	3954	4467	4793
ZM330	3300	2000 2000*	2500 2500*	3000 3000*	3500 3500*	2150	2220	2270	1146	1038	1093	6-12	3534	3984	4499	4825
ZM350	3500	2000 2000*	2500 2500*	3000 3000*	3500 3500*	2250	2320	2370	1246	1138	1193	6-12	3552	4002	4519	4845
ZM370	3700	2000 2000*	2500 2500*	3000 3000*	3500 3500*	2350	2420	2470	1346	1238	1293	6/6 *6/12	3572	4022	4539	4865
ZM400	4000	2000 2000*	2500 2500*	3000 3000*	3500 3500*	2550	2620	2670	1546	1438	1493	6/6 *6/12	3648	4098	4617	4943

Note: ① \* stands for rated capacity for trucks with dual front tyre; ② When trucks with dual front tyre, the service weight is the data in the table plus 110kg.

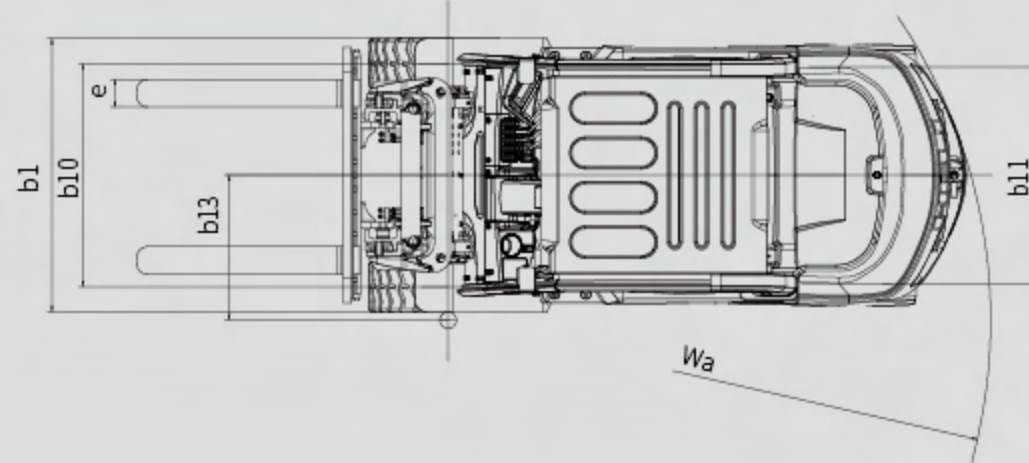
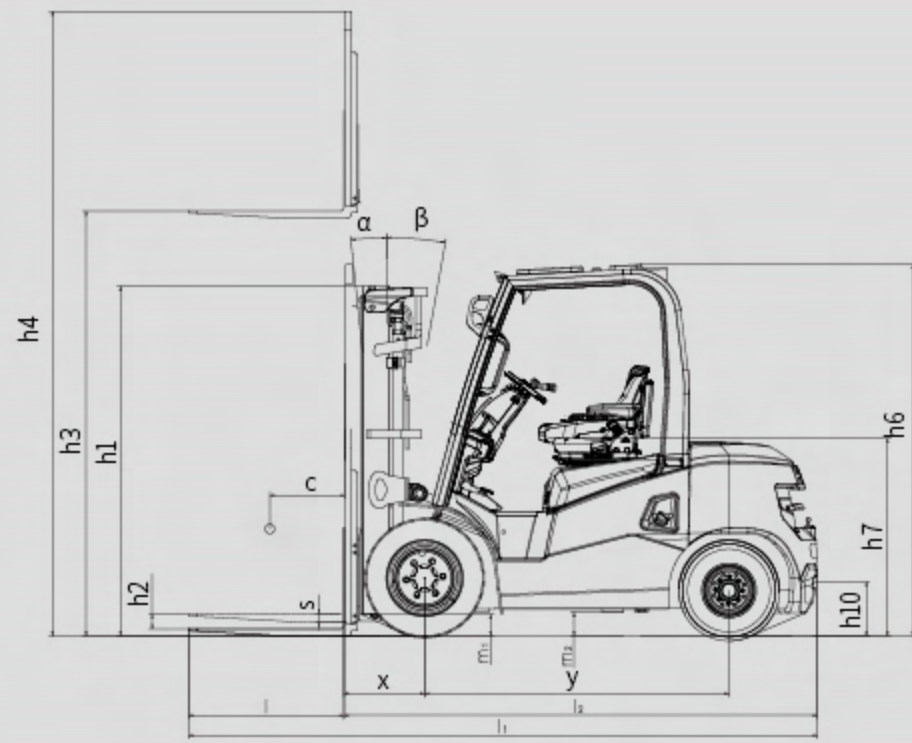
WIDE VIEW FULL FREE 3-STAGE MAST																
Mast model	Max.lifting height (mm)	Load capacity(oder center 500mm) (kg)				Mast height (mm)			Free lift (with backrest)(mm)			Mast tilt angle Front/Rear	Service weight (kg)			
		2t	2.5t	3t	3.5t	2-2.5t	3t	3.5t	2-2.5t	3t	3.5t		2t	2.5t	3t	3.5t
ZSM435	4350	2000 2000*	2500 2500*	3000 3000*	3500 3500*	2050	2120	2120	1046	938	943	6-6	3686	4136	4599	4911
ZSM450	4500	2000 2000*	2500 2500*	3000 3000*	3500 3500*	2100	2170	2170	1096	988	993	6-6	3700	4150	4612	4924
ZSM470	4700	1850 1900*	2250 2450*	2900 3000*	3400 3500*	2165	2230	2230	1161	1048	1053	6-6	3718	4168	4629	4941
ZSM500	5000	1800 1900*	1900 2400*	2750 2900*	3200 3300*	2300	2370	2370	1296	1188	1193	6-6	3753	4203	4664	4976
ZSM540	5400	1500 1800*	1650 2200*	2300 2800*	2800 3150*	2400	2470	2470	1396	1288	1293	6-6	3783	4233	4693	5005
ZSM600	6000	1000 1700*	1050 1900*	1700 2250*	2050 2450*	2600	2670	2670	1596	1488	1493	6-6	3884	4334	4794	5106
ZSM650	6500	1600*	1750*	1950*	2000*	2800	2870	2870	1796	1688	1693	3-3	3937	4387	4846	5158
ZSM700	7000	1300*	1400*	1700*	1800*	2975	3045	3045	1971	1863	1868	3-3	3985	4435	4893	5205

Note: ① \* stands for rated capacity for trucks with dual front tyre; ② When trucks with dual front tyre, the service weight is the data in the table plus 110kg.

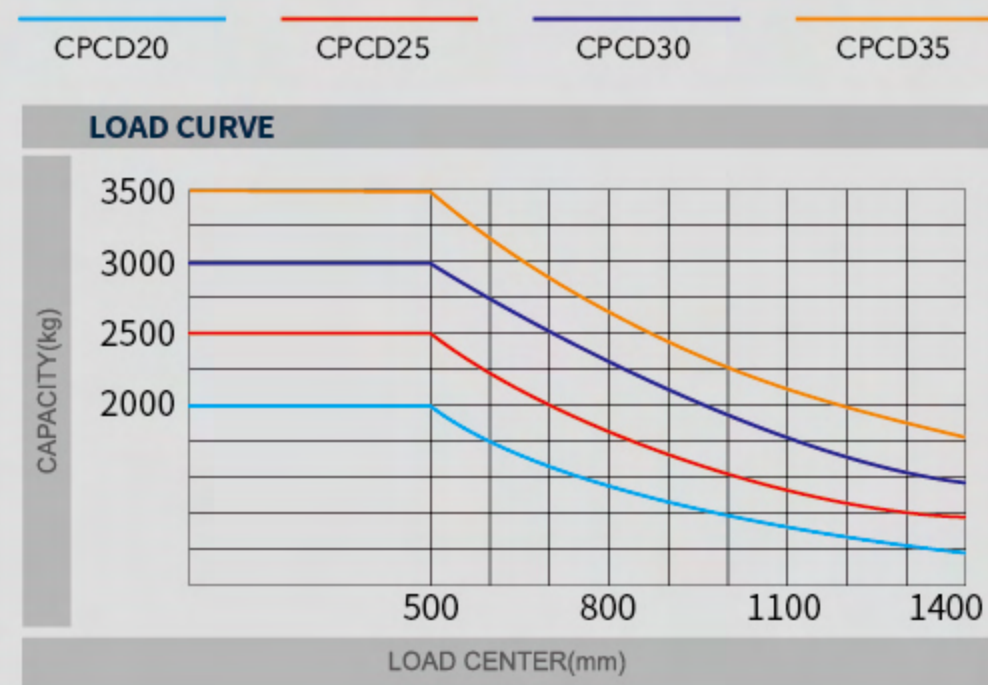


CPCD20 CPCD25 CPCD30 CPCD35  
CP(Q)(Y)D20 CP(Q)(Y)D25 CP(Q)(Y)D30 CP(Q)(Y)D35

**Note:** The vertical axis stands for load capacity and the horizontal axis stands for load center which is calculated from the front of the fork. The base point of the standard load refers to the center position of the cube with 1000mm length of side. When mast is tilted forward, nonstandard fork usage or load with over wide goods, load capacity will be reduced. Different load capacity in different load center can be known in time through load chart.



NOTE:  
Vertical axle stands for load capacity while horizontal axle stands for load center. Load center is the distance counted from the front of the fork. The base point of the standard load is the center point of the cubic with the same 1200mm dimension in length, width and height. The load capacity should be down, if mask tilts forward, using non-standard forks or loading goods with extra width. Please notice the different load capacity between different load centers according to load chart.



**CPCD 20/25/30/35**  
M3G3/KU17G3  
**CP(Q)YD 20/25/30/35**  
KU1G3



**2-3.5 t**  
G3 series Internal Combustion  
Counterbalanced Forklift Truck

Product range of Heli: 1-4t internal combustion forklift truck; 0.6-18 tons electric forklift truck; reach truck, pallet truck, stacker and other warehousing products; AGV and system solutions; reach stacker, container handler, tractor, explosion-proof forklift truck, rough terrain forklift truck, loader and other diversified products.



**ANHUI HELI CO., LTD.**

Add / No.668, FangXing Road, Hefei, China

Fax / +86-551-63639966

Tel / +86-551-63639068(America); 63639258(Europe); 63639358(Asia);

63662105(Africa & Middle East); 63639530(Overseas Marketing)



LinkedIn



YouTube



Facebook

\* Our products are subject to improvements and changes without notice.

# AESTHETICS FUNCTIONAL

A Design Of Perfect Combination

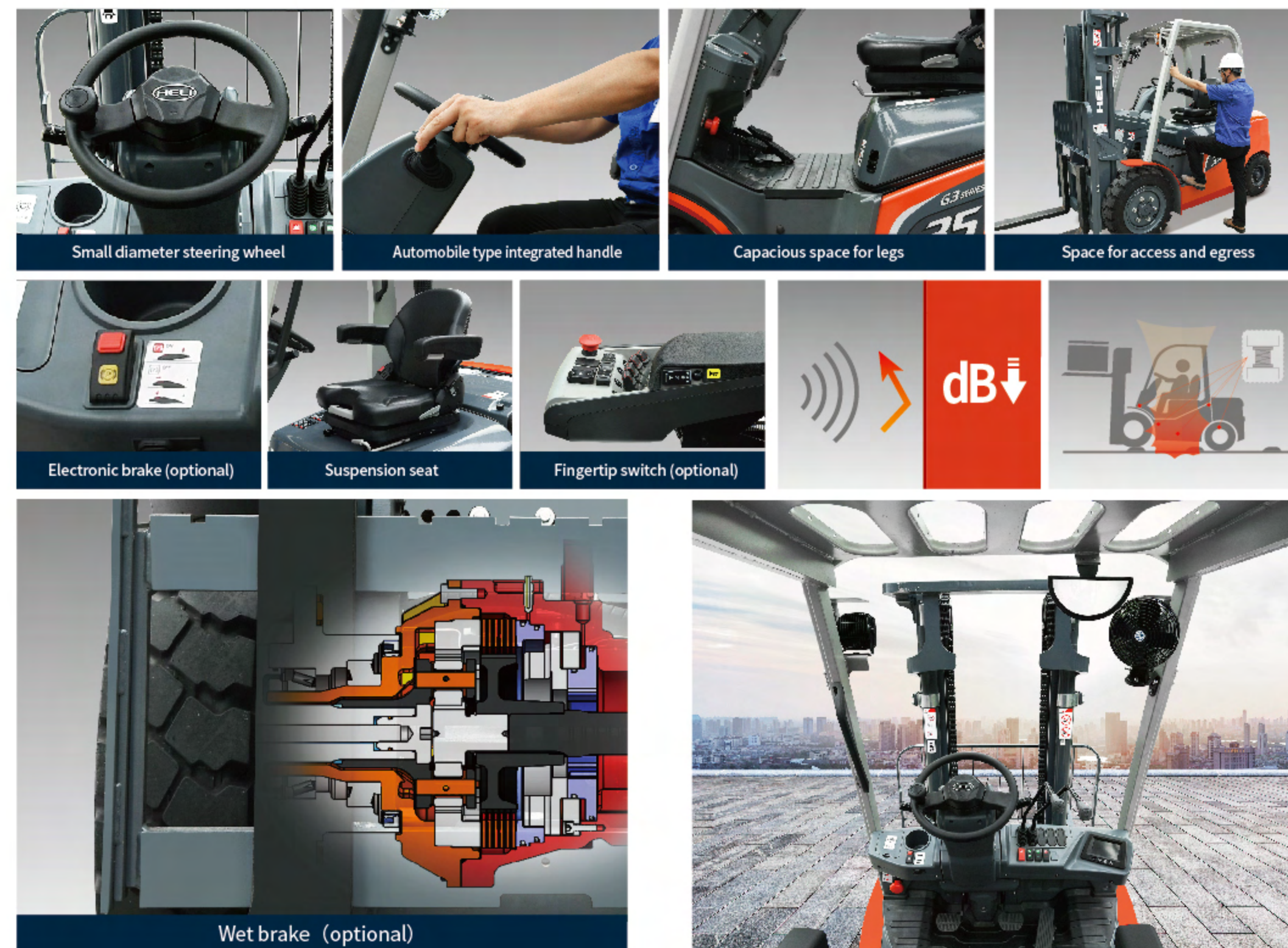


## A NEW GENERATION OF PRODUCTS

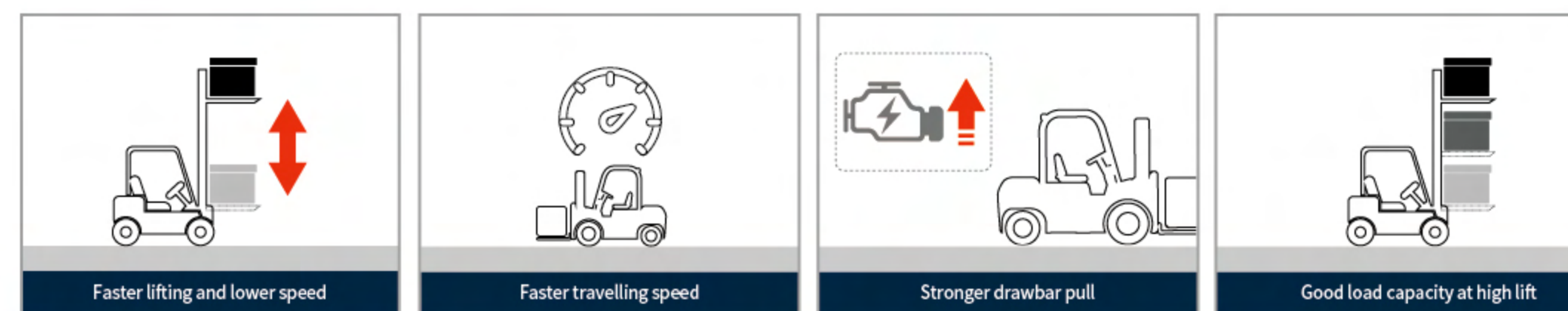
Intelligent / Safe / Efficient / Saving and Environment Friendly

## IMPROVED COMFORT

The image of the whole vehicle is fully upgraded, adopting Heli's brand-new family-based PI features, with both appearance and connotation. The Chinese "bronze tripod" shape shows the deep foundation of the enterprise. Heli contributes to the society with high-quality products which have innovational color matching, fashionable and unique characteristics. There is a high degree of brand recognition.



## UPGRADED EFFICIENCY



## SAFETY GUARANTEED

- Configuring the enhanced OPS control system . When the driver leaves the seat, travelling and the lifting and lowering functions of the mast are locked, effectively ensuring the driver's safety;
- The efficient and reliable parking brake system makes parking safer and more reliable;
- Customized speed control system meet the personalized needs; (optional)
- The truck is equipped with the function of preventing starting with gear and preventing the secondary ignition of engine, and the safety guarantee is upgraded;
- The intelligent instrument can comprehensively monitor the status of the whole truck. realize starting with card or password and maintenance information reminding, and more efficient or flexible truck management can be realized through matching with HELI professional fleet management system;
- The truck is equipped with integral cab which upgrades safety protection.



## RELIABLE SPECIAL DESIGNED INSTRUMENT



Back Up Down OK

1. Colorful LCD display screen with high resolution; adjustable backlight brightness.
2. CAN bus meter to read the fault code directly; (only electronic controlled engine).
3. Front and rear protection degree: IP 66.
4. Working temperature: -30°C~+75°C; temperature for storage: -40°C~+85°C.
5. Multi-level programmable menu.
6. More than 20 alarm indicators and 6 simulation indicators can monitor engine and trucks at the same time to protect operator and truck safety.
7. Alarm according to different grade: there are two alarm grade: the indicator will flicker for the first grade alarm and the buzzer will sound up for the second grade alarm.
8. Chinese and English are optional.
9. Point check.
10. Identity recognition(optional);Starting through card or password(optional).
11. GPS (optional).

	Engine coolant temperature		Charging indication		Left turning		Oil and water separator
	Fuel level		Block of air cleaner		Right turning		High temperature exhausting
	Oil temperature of drive axle		Hand brake		Alarm of low fuel		DPF parking regeneration request
	LPG pressure		Seat switch		Alarm of engine oil pressure		Forcible no generation of DPF
	Low brake pressure		Neutral indicator		Preheating indication		Fault of fingertip control
	Engine alarm		Safety belt switch		Hourmeter		

### HELI smart fleet management system (optional)

Vehicle positioning	Statistical form
Remote diagnosis	Vehicle management
Remote monitoring	Identification recognition (optional)
Maintenance reminder	Weight management (optional)
Battery management	Collision management (optional)



**MANUFACTURER AND TECHNICAL DATA**

Distinguishing marks							
1.1	Manufacturer (abbreviation)	<b>HELI</b>					
1.2	Manufacturer's type designation	CPCD20/CP(Q)YD20	CPCD25/CP(Q)YD25	CPCD30/CP(Q)YD30	CPCD35/CP(Q)YD35		
1.3	Drive	Diesel/LPG(gas)					
1.4	Operator type	Seated					
1.5	Rated capacity/rated load	Q	kg	2000	2500	3000	3500
1.6	Load centre distance	c	mm	500	500	500	500
1.7	Load distance, centre of drive axle to fork	x	mm	466	466	494	499
1.8	Wheelbase	y	mm	1750	1750	1800	1800
<b>Weight</b>							
2.1	Service weight		kg	3470	3820	4480	4880
2.2	Axle loading, laden front/rear		kg	4815/655	5560/760	6535/945	7365/1015
2.3	Axle loading, unladen front/rear		kg	1680/1790	1700/2120	1875/2605	1925/2955
<b>Tyres/chassis</b>							
3.1	Tyres: solid rubber, superelastic, pneumatic, polyurethane			Pneumatic tyre	Pneumatic tyre	Pneumatic tyre	Pneumatic tyre
3.2	Tyre size, front			7.00-12-12PR	7.00-12-12PR	28*9-15-14PR	28*9-15-14PR
3.3	Tyre size, rear			6.00-9-10PR	6.00-9-10PR	6.50-10-10PR	6.50-10-10PR
3.4	Wheels, number front/rear (x = driven wheels)			2*2	2*2	2x/2	2x/2
3.5	Tread, front	b <sub>10</sub>	mm	965	965	1000	1000
3.6	Tread, rear	b <sub>11</sub>	mm	970	970	970	970
<b>Dimensions</b>							
4.1	Tilt of mast/fork carriage forward/backward	α/β	°	6°/10°	6°/10°	6/10	6/10
4.2	Height, mast lowered	h <sub>1</sub>	mm	2000	2000	2120	2120
4.3	Free lift	h <sub>2</sub>	mm	155	155	155	160
4.4	Lift	h <sub>3</sub>	mm	3000	3000	3000	3000
4.5	Height, mast extended	h <sub>4</sub>	mm	4030	4030	4220	4220
4.6	Height of overhead guard (cabin)	h <sub>5</sub>	mm	2160	2160	2180	2180
4.7	Seat height/stand height	h <sub>7</sub>	mm	1030	1030	1125	1125
4.8	Coupling height	h <sub>10</sub>	mm	290	290	325	325
4.9	Overall length	l <sub>1</sub>	mm	3540	3750	3880	3940
4.10	Length to face of forks	l <sub>2</sub>	mm	2620	2660	2810	2870
4.11	Overall width	b <sub>1</sub>	mm	1160	1160	1225	1225
4.12	Fork dimensions ISO 2331	s/e/l	mm	40/122/920	40/122/1070	45/125/1070	50/125/1070
4.13	Fork carriage ISO 2328, class/type A, B			IIA	IIA	IIIA	IIIA
4.14	Fork-carriage width	b <sub>3</sub>	mm	1035	1035	1100	1100
4.15	Ground clearance, laden, below mast	m <sub>1</sub>	mm	115	115	135	135
4.16	Ground clearance, centre of wheelbase	m <sub>2</sub>	mm	125	125	145	145
4.17	Aisle width for pallets 1000 × 1200 crossways	Ast	mm	3915	3975	4180	4220
4.18	Aisle width for pallets 800 × 1200 crossways	Ast	mm	4115	4175	4310	4350
4.19	Turning radius	Wa	mm	2250	2310	2425	2460
4.20	Internal turning radius	b <sub>3</sub>	mm	640	640	650	650
<b>Type of drive unit</b>							
5.1	Type of drive unit			Hydraulic	Hydraulic	Hydraulic	Hydraulic
<b>Addition data</b>							
6.1	Operating pressure for attachments		bar	55	140	140	140
6.2	Oil volume for attachments		ℓ/min		55	64	64

**TECHNICAL DATA**

Performance data 1										
1.1	Manufacturer's type designation		CPCD20	CPCD25	CPCD30	CPCD35	CPCD20	CPCD25	CPCD30	CPCD35
1.2	Travel speed, laden/unladen	km/h	17/18	16/17	18/18.5	17.5/18	17/18	16/17	18/18.5	17.5/18
1.3	Lift speed, laden/unladen	m/s	0.55/0.59	0.55/0.59	0.52/0.56	0.44/0.46	0.55/0.59	0.55/0.59	0.51/0.56	0.42/0.46
1.4	Lowering speed, laden/unladen	m/s	0.50/0.47	0.50/0.47	0.51/0.55	0.46/0.49	0.50/0.47	0.50/0.47	0.51/0.55	0.46/0.49
1.5	Max. drawbar pull, laden/unladen	N	18800/13100	18500/13300	21000/14100	19500/15100	19600/13100	19000/13300	22300/14100	21000/15000
1.6	Max. gradeability, laden/unladen <sup>1)</sup>	%	29/26	27/23	26/25	24/23	30/27	28/24	30/24	26/23
1.7	Service brake		Hydraulic			Hydraulic				
<b>Combustion-engine</b>										
2.1	Fuel type		Diesel				Diesel			
2.2	Engine manufacturer/type		Mitsubishi s4s (China stage III/Euro stage IIIA)				KUBOTA V2403 (Euro stage V/EPA T4F)			
2.3	Engine power according to DIN ISO 1585	kW	35.4				43.2			
2.4	Rated speed	min-1	2250				2400			
2.5	Number of cylinders/displacement	(-)/L	4/3.331				4/2.434			
2.6	Truck model		CPCD20-35-M3G3				CPCD20-35-KU1G3			

Performance data 2						
1.1	Manufacturer's type designation		CP(Q)YD20	CP(Q)YD25	CP(Q)YD30	CP(Q)YD35
1.2	Travel speed, laden/unladen	km/h	18/19	17/18	18.5/19	18/18.5
1.3	Lift speed, laden/unladen	m/s	0.55/0.59	0.55/0.59	0.54/0.57	0.45/0.47
1.4	Lowering speed, laden/unladen	m/s	0.50/0.47	0.50/0.47	0.51/0.55	0.455/0.49
1.5	Max. drawbar pull, laden/unladen	N	19600/13100	19000/13300	22300/14100	21000/15000
1.6	Max. gradeability, laden/unladen <sup>1)</sup>	%	30/27	28/24	30/24	26/23
1.7	Service brake		Hydraulic			
<b>Combustion-engine</b>						
2.1	Fuel type		LPG/Gas			
2.2	Engine manufacturer/type		KUBOTA WG2503 (Euro stage V)			
2.3	Engine power according to DIN ISO 1585	kW	43.5			
2.4	Rated speed	min-1	2600			
2.5	Number of cylinders/displacement	(-)/L	4/2.491			
2.6	Truck model		CP(Q)YD30-35-KU1G3			

Note: <sup>1)</sup> Calculating data.

**WIDE VIEW MAST**

Mast model	Max. lifting height (mm)	Load capacity (lode center 500mm)(kg)				Mast height(mm)			Mast tilt angle Front/Rear (°)	Service weight (kg)			
		2t	2.5t	3t	3.5t	2-2.5t	3t	3.5t		2t	2.5t	3t	3.5t
M300	3000	2000 2000**	2500 2500**	3000 3000**	3500 3500**	2000	2070	2120	6-10	3470	3820	4480	4880
M330	3300	2000 2000**	2500 2500**	3000 3000**	3500 3500**	2150	2220	2270	6-10	3500	3850	4540	4940
M350	3500	2000 2000**	2500 2500**	3000 3000**	3500 3500**	2250	2320	2370	6-10	3520	3870	4560	4950
M370	3700	2000 2000**	2500 2500**	3000 3000**	3500 3500**	2350	2420	2470	6-6 *6-10	3540	3990	4580	4970
M400	4000	2000 2000**	2500 2500**	3000 3000**	3500 3500**	2550	2620	2670	6-6 *6-10	3620	3970	4650	5040
M450	4500	2000 1950**	2450* 2300**	3000* 3000**	3500* 3500**	2800	2870	2920	6-6 *6-10	3670	4020	4690	5090
M500	5000	1800 1950* 1800**	2400* 2300** 1850**	3000* 3000** 2700**	3400* 3400** 3300**	3050	3120	3170	6-6 *6-6	3720	4070	4740	5130
M550	5500	1850*	2250*	2750*	3050*	3350	3420	3470	*6-6	3820	4170	4830	5220
M600	6000	1650*	1850*	2250*	2450*	3600	3670	3720	*6-6	3860	4210	4870	5260

Note: ①\* stands for rated capacity for trucks with dual front tyre, \*\* stands for rated capacity for trucks with single solid tyre;  
② For 2-3.5t trucks with dual front tyre, the service weight is the data in the table plus 110kg.

**WIDE VIEW FULL FREE 2-STAGE MAST**

Mast model	Max. lifting height (mm)	Load capacity (lode center 500mm)(kg)				Mast height(mm)			Free lift (with backrest) (mm)			Mast tilt angle Front/Rear (°)	Service weight (kg)			
		2t	2.5t	3t	3.5t	2-2.5t	3t	3.5t	2-2.5t	3t	3.5t		2t	2.5t	3t	3.5t
ZM300	3000	2000 2000**	2500 2500**	3000 3000**	3500 3500**	2000	2070	2120	996	888	943	6-10	3490	3840	4530	4850
ZM330	3300	2000 2000**	2500 2500**	3000 3000**	3500 3500**	2150	2220	2270	1146	1038	1093	6-10	3520	3870	4560	4880
ZM350	3500	2000 2000**	2500 2500**	3000 3000**	3500 3500**	2250	2320	2370	1246	1138	1193	6-10	3530	3880	4580	4900
ZM370	3700	2000 2000**	2500 2500**	3000 3000**	3500 3500**	2350	2420	2470	1346	1238	1293	6/6 *6/10	3550	3900	4600	4920
ZM400	4000	2000 2000**	2500 2500**	3000 3000**	3500 3500**	2550	2620	2670	1546	1438	1493	6/6 *6/10	3630	3980	4680	5000

Note: ①\* stands for rated capacity for trucks with dual front tyre, \*\* stands for rated capacity for trucks with single solid tyre;  
② For 2-3.5t trucks with dual front tyre, the service weight is the data in the table plus 110kg.

**WIDE VIEW FULL FREE 3-STAGE MAST**

Mast model	Max. lifting height (mm)	Load capacity (lode center 500mm)(kg)				Mast height(mm)			Free lift (with backrest) (mm)			Mast tilt angle Front/Rear (°)	Service weight (kg)			
		2t	2.5t	3t	3.5t	2-2.5t	3t	3.5t	2-2.5t	3t	3.5t		2t	2.5t	3t	3.5t
ZSM435	4350	2000 2000**	2500 2500**	3000 3000**	3500 3500**	2050	2120	2120	1046	938	943	6-6	3690	4040	4700	5040
ZSM450	4500	2000 2000**	2500 2500**	3000 3000**	3500 3500**	2100	2170	2170	1096	988	993	6-6	3700	4050	4720	5050
ZSM470	4700	1900 1950* 1900**	2200 2450* 2200**	3000 3000* 3000**	3400 3400* 3400**	2165	2230	2230	1161	1048	1053	6-6	3720	4070	4740	5070
ZSM500	5000	1750 1750**	1800 1800**	2400 2400**	2950* 3300**	2300	2370	2370	1296	1188	1193	6-6	3760	4110	4770	5110
ZSM540	5400	1450 1450**	1500 1500**	2300 2300**	2800* 2800**	2400	2470	2470	1396	1288	1293	6-6	3790	4140	4800	5140
ZSM600	6000	1000 1000**	1800 1800**	1550* 1550**	1900* 1900**	2600	2670	2670	1596	1488	1493	6-6	3900	4250	4910	5240
ZSM650	6500	1600*	1700*	1950*	2000*	2800	2870	2870	1796	1688	1693	3-3	3950	4300	4960	5300
ZSM700	7000	1300*	1300*	1700*	1800*	2975	3045	3045	1971	1863	1868	3-3	4000	4350	5010	5350

Note: ①\* stands for rated capacity for trucks with dual front tyre, \*\* stands for rated capacity for trucks with single solid tyre;  
② For 2-3.5t trucks with dual front tyre, the service weight is the data in the table plus 110kg.

**STANDARD**

**OPTIONAL**

Reversing handle (with horn)	Cab	Purification extinguisher	Rear view camera
Protection for tilting cylinder	Air conditioner	Fire muffler	Warning light
Protection for steering cylinder	Heater	Fire extinguisher	Finger tip operation system
Main switch	Front windshield	Rear working light	Overspeed warning
High exhaust	Rear windshield	Optional attachment	Speed limit function
Warning light	Fire extinguisher	Lifting slings	Starting through password or card
Flickering warning light	Fan	Protection net of overhead guard	Internet of vehicle
Ops controller	Dual air cleaner	Rough filter with ash self discharge	Smart safety system
	Fork extension	Reversing voice speaker	HELI smart fleet management system